



WHEN THE SUN RISES  
WE WORK HARD TO DELIVER

# NKOMAZI MUNICIPALITY PROFILING DRIEKOPPIES WATER TREATMENT WORKS

28 MARCH 2022



co-operative governance  
& traditional affairs

MPUMALANGA PROVINCE  
REPUBLIC OF SOUTH AFRICA



# PRESENTATION OUTLINE

- **OVERVIEW**
- **DIAGRAM OF THE EXISTING DRIEKOPPIES WTW,**
- **WATER QUALITY COMPLIANCE**
- **LATEST UPGRADE PROJECTS ON THE WTWs**
- **CHALLENGES**
- **INTERVENTION**



# OVERVIEW

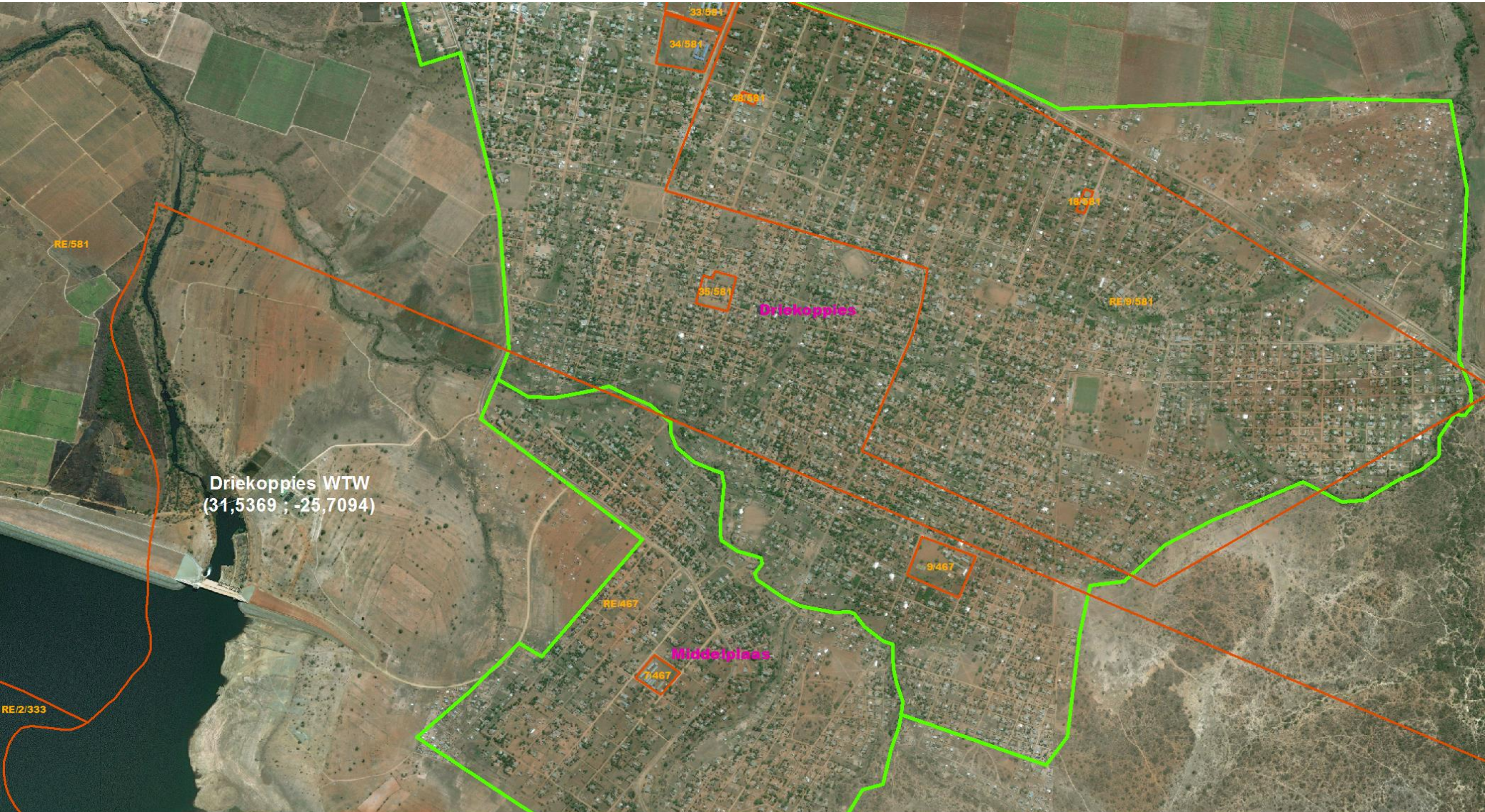
- Driekoppies WTW is part of the Nkomazi Local Municipality water infrastructure assets
- It is located at Middleplaas area next to Driekoppies dam , in the Mpumalanga province, with GPS Coordinates: 31,5368, -25,7094.





# OVERVIEW Cont...: LOCALITY MAP

- Figure 1. shows the locality map for Driekoppies WTW.





# OVERVIEW CONT...

- ❑ Driekoppies Water Treatment Works is Class C plant with a design capacity of 22ML/d, the plant is currently operating above capacity at 28ML/d
- ❑ Water Use Licence in place
- ❑ Driekoppies WTW is a Conventional Treatment Facility and abstracts raw water from the Driekoppies Dam
- ❑ Water is purified and distributed via pump lines, reservoirs and booster pump station
- ❑ Driekoppies WTW is currently Servicing the following villages: Driekoppies, Schoemansdal, Jeppes Reef, Middleplaas, Shulzendal, Aniva, Boschfontein, Magogeni, Skoonplaas with a total current estimated population of 122 642.
- ❑ The municipality is currently implementing both compliance (Monthly) and operation

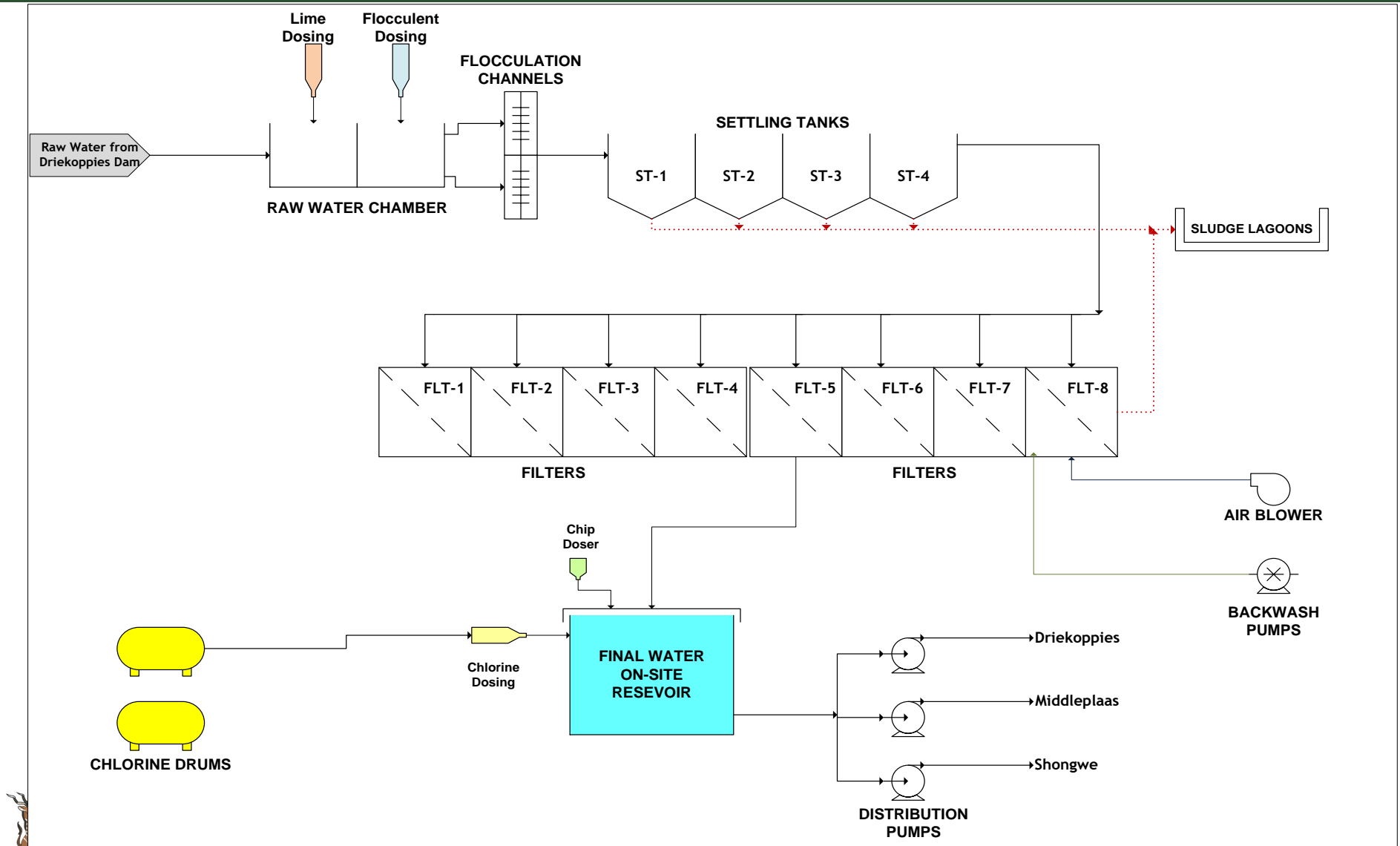
(Daily) monitoring - water sampling.



co-operative governance  
& traditional affairs  
MPUMALANGA PROVINCE  
REPUBLIC OF SOUTH AFRICA



# SCHEMATIC LAYOUT OF DRIEKOPPIES WTW





# OVERALL WATER QUALITY COMPLIANCE

## Nkomazi Local Municipality

### Microbiological : Acute Health

Description	Sites		Samples			Analysis		
	Count	Crit	Count	Crit	Freq	Certified	Count	% Compliance
<b>Driekoppies WSS</b>	16	7	151	68	38.7 days	>99.9%	151	94.7%





# UPGRADE PROJECTS

Project Location	Name/ Project Description	Construction Progress to Date	Funding	Approved Project Budget (R)	Financial Progress to Date (R)	Start Date	Estimated Completed date	Challenges
Driekoppies, Schoemansdal, Boschfontein, Jeppes reef, Lange loop, Aniva, Magogeni, Middelpaas, Schulzendal & Gomora / Skoonplaas	Driekoppies bulk line and booster pump Phase 1B	98% Construction	RBIG	55,120,000.00	42,474,126.91	09 January 2019	30 June 2022	None
	Driekoppies Water Treatment Works Upgrade additional 10ML Phase 1A	55% Construction	RBIG DWS	96,743,094.52	24,511,137.50	05 November 2019	30 June 2022	None





# CHALLENGES

- ❑ The Driekoppies Water Treatment Works Treatment Works is operating above its design capacity.
- ❑ Insufficient budget for maintenance of the existing water Treatment Works.
- ❑ Some components of the existing plants are ageing.
- ❑ Illegal connections on the main lines due to mushrooming of stands affect daily operations of the schemes.

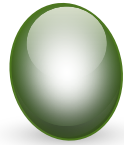


# INTERVENTIONS

- ❑ The project of Upgrading of the Driekoppies Scheme is in progress for 10ML/d additional phase 1.
- ❑ To speed up process of licence approval for the additional 10MI/d for phase 2 that is still to be implemented.
- ❑ To complete the upgrade of the bulk water supply scheme projects, and connection of reticulation for new stands requiring more funding.
- ❑ To refurbish existing treatment plants to comply with standards (budget has been set aside from own revenue).



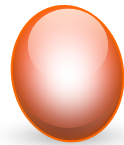




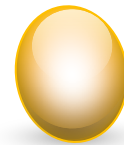
Questions



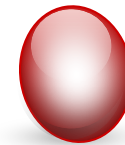
Comments



Inputs.



Suggestions



Nothing.

